

Kreatech™ FISH probes

Product Information Sheet

KI-40003

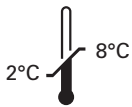
RB1 (13q14) / RCAN1 (21q22)

100 µl

DANGER



FORMAMIDE



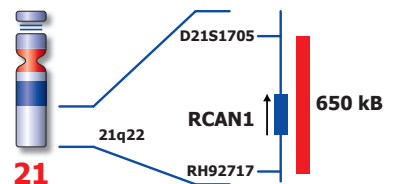
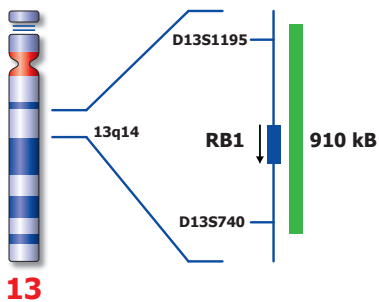
Kreatech Biotechnology B.V.
Vlierweg 20
1032 LG Amsterdam
The Netherlands
www.LeicaBiosystems.com

RUO - Research Use Only

Not for use in diagnostic procedures

PI-KI-40003_D2.1

Published Sept 2015



Not to scale

KI-40003

Kreatech™ RB1 (13q14) / RCAN1 (21q22) FISH probe

Introduction: The **Chromosome 21 specific** region FISH probe is optimized to detect chromosome 21 at 21q22 on uncultured amniotic cells. The **Chromosome 13 specific** region FISH probe is optimized to detect Chromosome 13 at 13q14 on uncultured amniotic cells.

Critical region 1 (red): The **21q22 specific** FISH probe is direct-labeled with PlatinumBright™550.

Critical region 2 (green): The **13q14 specific** FISH probe is direct-labeled with PlatinumBright™495.

Reagent: Kreatech probes are direct-labeled DNA probes provided in a ready-to-use format. Apply 10 µl of probe to a sample area of approximately 22 x 22 mm.

Please refer to the Instructions for Use for the entire Kreatech FISH protocol.

Kreatech FISH probes are REPEAT-FREE™ and therefore do not contain Cot-1 DNA. Hybridization efficiency is increased and background, due to unspecific binding, is highly reduced.

Patterns: The **RB1 (13q14) / RCAN1 (21q22)** FISH probe is designed as a dual-color assay to detect gains of chromosome 21 and 13. Trisomy 21 will be detected by three red signals at the 21q22 region and two green signals for chromosome 13 (3R2G). Trisomy 13 will be detected by 3 green signals at the 13q14 region and two red signals for chromosome 21 (2R3G). Two single color red (R) and green (G) signals will identify the normal chromosomes 13 and 21 (2R2G).

	Normal Signal Pattern	Trisomy 21	Trisomy 13
Expected Signals	2R2G	3R2G	2R3G

References: Korenberg J. et al, 1994, Proc. Nat. Acad. Sci. 91; 4997-5001
Spathas D et al, 1994, Prenat Diagn. 14(11); 1049-1054
Tepperberg et al, 2001, Prenat Diagn 21(4); 293-301

Warning and precautions: In case of emergencies check SDS sheets for medical advice. SDS sheets may be obtained by either contacting Leica Technical Support or visiting www.LeicaBiosystems.com. DNA probes contain formamide which is a teratogen; do not inhale or allow skin contact. Wear gloves and a lab coat when handling DNA probes. All materials should be disposed of according to your institution's guidelines for hospital waste disposal.

Reagent Storage and Handling: Store at 2-8 °C. Reagents should not be used after the expiration date on the vial label.

TECHNICAL SUPPORT Technical support is available at www.LeicaBiosystems.com/service-support/technical-support/ or toll free at 800-248-0123 or via e-mail: kreatech-support@leicabiosystems.com.

CUSTOMER SERVICE Kreatech probes may be ordered through Leica Customer Service toll free at 800-248-0123 or order via e-mail: purchase.orders@leica-microsystems.com.