

Kreatech™ FISH probes Product Information Sheet

KI-40001
RB1 (13q14)

100 µl

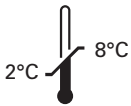
Analyte Specific Reagent

Analytical and performance characteristics are not established

DANGER



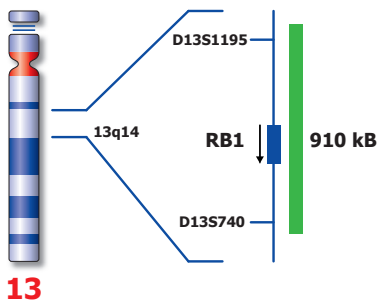
FORMAMIDE



Kreatech Biotechnology B.V.
Vlierweg 20
1032 LG Amsterdam
The Netherlands
www.LeicaBiosystems.com

PI-KI-40001_D2.1

Published Oct 2015



Not to scale

KI-40001

Kreatech™ RB1 (13q14) FISH probe

- Introduction:** The **RB1 (13q14)** FISH probe is optimized to detect Chromosome 13 at 13q14.
- Critical region 1 (green):** The **RB1 (13q14)** FISH probe is direct-labeled with PlatinumBright™495.
- Reagent:** The **RB1 (13q14)** FISH probe is a direct-labeled DNA probe provided at one time the concentration than the amount of DNA probe used in the QC test procedure
- Kreatech FISH probes are REPEAT-FREE™ and therefore do not contain Cot-1 DNA. Hybridization efficiency is increased and background, due to unspecific binding, is highly reduced.**
- Patterns:** The **RB1 (13q14)** FISH probe is designed as a single-color assay to detect gains of chromosome 13. Trisomy 13 will be detected by 3 green signals at the 13q14 region. Two single color green (G) signals will identify the normal chromosomes 13.

	Normal Signal Pattern	Trisomy 13
Expected Signals	2G	3G

- References:** Korenberg J et al, 1994, Proc. Nat. Acad. Sci. 91; 4997-5001
Spathas D et al, 1994, Prenat Diagn. 14(11); 1049-1054
Tepperberg et al, 2001, Prenat Diagn 21(4); 293-301

Warning and precautions: In case of emergencies check SDS sheets for medical advice. SDS sheets may be obtained by either contacting Leica Technical Support or visiting www.LeicaBiosystems.com. DNA probes contain formamide which is a teratogen; do not inhale or allow skin contact. Wear gloves and a lab coat when handling DNA probes. All materials should be disposed of according to your institution's guidelines for hospital waste disposal.

Reagent Storage and Handling: Store at 2-8 °C. Reagents should not be used after the expiration date on the vial label.

TECHNICAL SUPPORT Technical support is available at www.LeicaBiosystems.com/service-support/technical-support/ or toll free at 800-248-0123 or via e-mail: kreatech-support@leicabiosystems.com.

CUSTOMER SERVICE Kreatech probes may be ordered through Leica Customer Service toll free at 800-248-0123 or order via e-mail: purchase.orders@leica-microsystems.com.