

Kreatech™ FISH probes

Product Information Sheet

13Q004I495

RB1 (13q14)

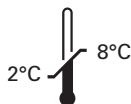
Green

250 µl

DANGER



FORMAMIDE



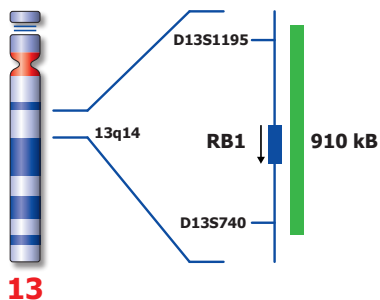
Kreatech Biotechnology B.V.
Vlierweg 20
1032 LG Amsterdam
The Netherlands
www.LeicaBiosystems.com

Analyte Specific Reagent

Analytical and performance characteristics are not established

Published Oct 2015

PI-13Q004I495_D1.0



Kreatech™ RB1 (13q14) FISH probe

Introduction: The **RB1 (13q14)** FISH probe is optimized to detect the RB1 gene region at 13q14.

Critical region (green): The **RB1 (13q14)** FISH probe is direct-labeled with Platinum*Bright*™495.

Reagent: The **RB1 (13q14)** FISH probe is a direct-labeled DNA probe provided at two times the concentration than the amount of DNA probe used in the QC test procedure.

Kreatech FISH probes are REPEAT-FREE™ and therefore do not contain Cot-1 DNA. Hybridization efficiency is increased and background, due to unspecific binding, is highly reduced.

Patterns: Two green (2G) signals will identify the non-aberrant RB1 loci.

	Signal Pattern
Expected Signals	2G

Warning and precautions: In case of emergencies check SDS sheets for medical advice. SDS sheets may be obtained by either contacting Leica Technical Support or visiting www.LeicaBiosystems.com. DNA probes contain formamide which is a teratogen; do not inhale or allow skin contact. Wear gloves and a lab coat when handling DNA probes. All materials should be disposed of according to your institution's guidelines for hospital waste disposal.

Reagent Storage and

Handling:

Store at 2-8 °C. Reagents should not be used after the expiration date on the vial label.

TECHNICAL SUPPORT

Technical support is available at www.LeicaBiosystems.com/service-support/technical-support/ or toll free at 800-248-0123 or via e-mail: kreatech-support@leicabiosystems.com.

CUSTOMER SERVICE

Kreatech probes may be ordered through Leica Customer Service toll free at 800-248-0123 or order via e-mail: purchase.orders@leica-microsystems.com.