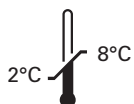


Kreatech™ FISH probes

Product Information Sheet

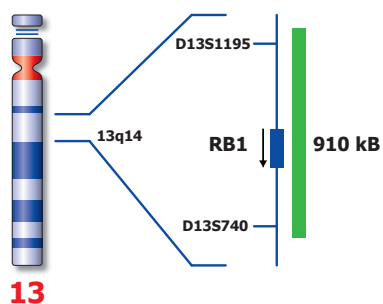
KBI-40001
RB1 (13q14)



Kreatech Biotechnology B.V.
Vierweg 20
1032 LG Amsterdam
The Netherlands
www.LeicaBiosystems.com

PI-KBI-40001_D1.1

Published March 2015



Not to scale

KBI-40001

Kreatech™ RB1 (13q14) FISH probe

Introduction: Trisomy 13, also called Patau syndrome, is a chromosomal condition that is associated with severe mental retardation and certain physical abnormalities. The critical region has been reported to include 13q14-13q32 with variable expression, gene interactions, or interchromosomal effects.

Intended use: The **RB1 (13q14)** FISH probe is optimized to detect copy numbers of chromosome 13 at 13q14 on uncultured amniotic cells.

The probe is recommended to be used in combination with one of the Kreatech Pretreatment kits providing necessary reagents to perform FISH on various sample types for optimal results. (see also www.LeicaBiosystems.com and look for Kits & reagents)

Critical region 1 (green): The **RB1 (13q14)** FISH probe is direct-labeled with PlatinumBright™495.

Reagent: Kreatech probes are direct-labeled DNA probes provided in a ready-to-use format. Apply 10 µl of probe to a sample area of approximately 22 x 22 mm.

Please refer to the Instructions for Use for the entire Kreatech FISH protocol.

Kreatech FISH probes are REPEAT-FREETM and therefore do not contain Cot-1 DNA. Hybridization efficiency is increased and background, due to unspecific binding, is highly reduced.

Interpretation: The **RB1 (13q14)** FISH probe is designed as a single-color assay to detect gains of chromosome 13. Trisomy 13 will be detected by 3 green signals at the 13q14 region. Two single color green (G) signals will identify the normal chromosomes 13.

	Normal Signal Pattern	Trisomy 13
Expected Signals	2G	3G

References: Korenberg J et al, 1994, Proc. Nat. Acad. Sci. 91; 4997-5001
Spathas D et al, 1994, Prenat Diagn. 14(11); 1049-1054
Tepperberg et al, 2001, Prenat Diagn 21(4); 293-301

Warning and precautions: In case of emergencies check SDS sheets for medical advice. SDS sheets may be obtained by either contacting Leica Technical Support or visiting www.LeicaBiosystems.com. DNA probes contain formamide which is a teratogen; do not inhale or allow skin contact. Wear gloves and a lab coat when handling DNA probes. All materials should be disposed of according to your institution's guidelines for hospital waste disposal.

Reagent Storage and Handling: Store at 2-8 °C. Reagents should not be used after the expiration date on the vial label.

TECHNICAL SUPPORT Technical support is available at www.LeicaBiosystems.com or +31 20 6919181 or via e-mail: kreatech-support@leicabiosystems.com.

CUSTOMER SERVICE Kreatech probes may be ordered through Leica Customer Service +31 20 6919181 or order via e-mail: purchase.orders@leica-microsystems.com.